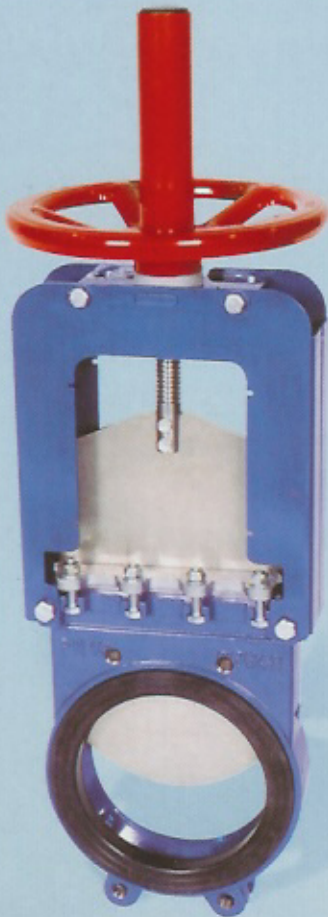




PROTEK



Knife Gate Valves



- Round Port
- Thru Conduit
- High Pressure
- Packingless
- Square Port

Design & Construction

PROTEK Knife Gate Valves are available in sizes 2" - 48" (50mm-1200mm) and in a range of body & seat materials.

PROTEK offer a variety of actuator options including rising stem & non-rising stem hand wheel, pneumatic cylinder, lever, bevel gearbox, chain wheels & electric motors. A full complement of accessories including deflection cones and purge points are also available.

Major Markets

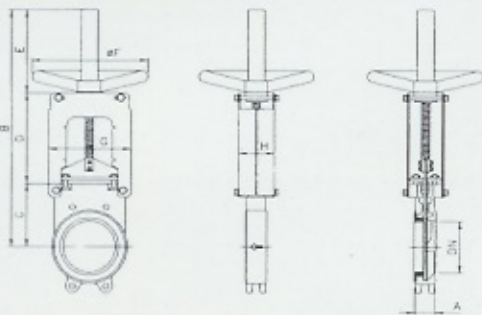
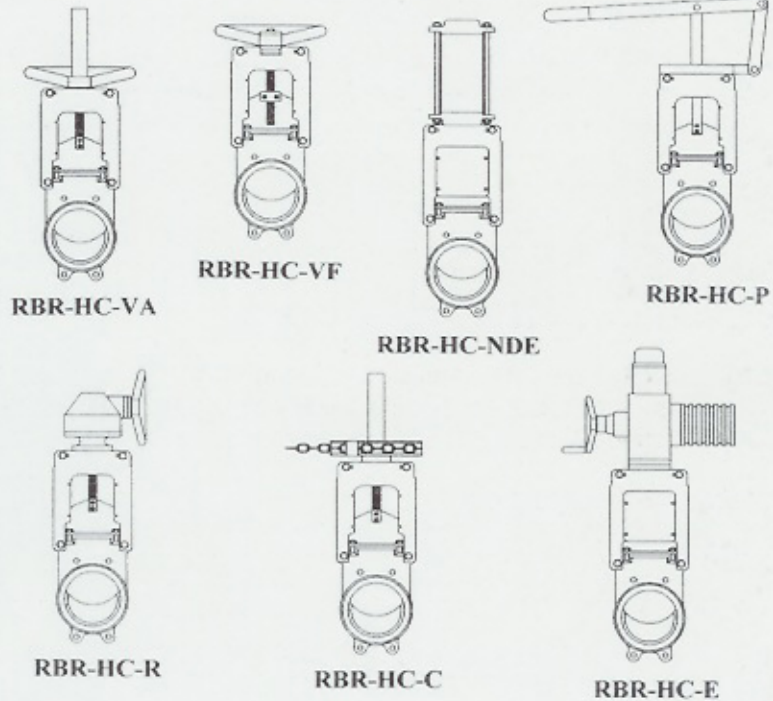
Water & waste water, Paper & pulp, Mining, Chemical, Power, OEM, Dry solids, Food processing, Sugar processing, Breweries, HVAC, Power Generation, General process applications.

Features & Benefits

- One-piece solid cast body in either Cast/Ductile Iron, Carbon Steel or Stainless Steel
- Choice of unidirectional or bi-directional shut off
- Choice of metal or soft-seated design
- Epoxy coating suitable for Potable water applications
- Precision cast jams & guides in seating area
- Profiled packing gland with machined oval edges to provide improved sealing performance
- Triple-packing arrangement of fibre & one-piece resilient material
- Provides superior sealing characteristics and easy field adjustment or replacement
- Integral safety stem protector
- Epoxy coated safety side protection/support plates
- Easy & discreet mounting of switches and accessories
- Inter changeability of actuators without disassembling of valve
- Replacement of seat ring without disassembling of valve



Model RBR-HC Knife Gate Valves



DN	A	B	C	D	E	ØF	G	H	Kg	PN
50	50	350	115	140	95	200	117	68	7	10
65	50	385	120	155	110	200	132	68	8	10
80	50	415	130	170	115	200	150	72	9	10
100	50	472	145	196	131	200	170	72	10	10
125	50	542	155	223	164	250	197	80	15	8
150	60	610	176	254	180	250	224	80	19	8
200	60	765	204	318	243	300	291	90	25	8
250	65	902	255	364	283	300	333	92	39	6
300	70	1057	305	424	328	350	395	95	53	6
350	90	1221	345	478	398	350	440	94	77	5
400	100	1422	400	554	468	500	543	101	119	5
500	110	1748	505	675	568	500	652	126	185	4
600	110	2073	620	795	658	500	752	120	253	3



Thru Conduit Knife Gate Valves Model RBR-HP

- Bolted 2 piece body construction
- Standard sizes up to 24"/600mm
- Cast Iron or Stainless Steel Body
- Choice of metal or soft seated
- Optional Bi directional shut off
- Full Range of actuators and accessories

High Pressure Knife Gate Valves Model RBR-HAP

- Bolted 2 piece body construction
- Standard sizes up to 24"/600mm
- Cast Iron or Stainless Steel Body
- Choice of seat material
- Working Pressures of PN16, PN25 & PN40
- Full Range of actuators and accessories



Packingless Knife Gate Valves Model RBR-HM

- Specific design for mining applications
- Bolted 2 piece body construction
- Standard Sizes up to 24"/600mm
- Cast Iron or Stainless Steel Body
- Choice of resilient sleeve materials
- Full Range of actuators and accessories

Square Section Knife Gate Valves Model RBR-SC

- Sizes to 1200mm x 1200mm
- Range of Body materials
- Range of Seat materials
- Bi-directional Shut off
- Full Range of actuators and accessories

